



Engine	Cummins 6BTAA5.9-C130
Gross Power	97 kW (130 hp / 132 ps) @ 2,200 rpm
Net Power	89 kW (119 hp / 121 ps) @ 2,200 rpm
Operating Weight	10,275 kg
Standard Bucket Size	1.8 m ³
Standard Breakout Force	99 kN
Standard Dump Clearance	2,930 mm

835H MAX WHEEL LOADER

835H SPECIFICATIONS >>>

ENGINE	
Emission Regulation	Tier 2 / Stage II
Maker	Cummins
Model	6BTA5.9-C130
Gross Power	97 kW (130 hp / 132 ps) @ 2,200 rpm
Net Power	89 kW (119 hp / 121 ps) @ 2,200 rpm
Peak Torque	580 N·m @ 1,300~1,500 rpm
Displacement	5.9 L
Number of Cylinder	6
Aspiration	Turbocharged & Air-to-air intercooled

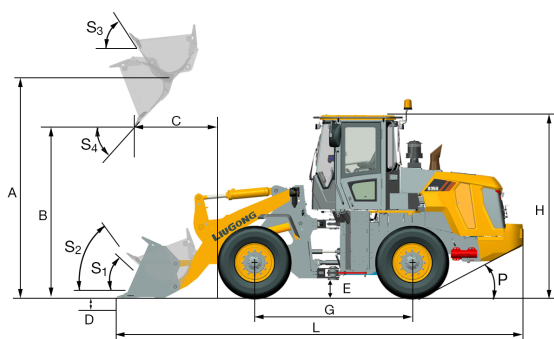
TRANSMISSION	
Transmission Type	Countershaft, power shift
Torque Converter	Single stage, three elements
Maximum Travel Speed, fwd	38 km/h
Maximum Travel Speed, rev	25 km/h
Number of Speed, fwd	4
Number of Speed, Rev	3

AXLES	
Differential Front Type	Conventional
Differential Rear Type	Conventional
Axle Oscillation	±10°

STEERING	
Steering Configuration	Articulated
Steering Relief Pressure	17.2 MPa

BRAKES	
Service Brake Type	Caliper discs brake
Service Brake Actuation	Air over hydraulic
Parking Brake Type	Mechanical control
Parking Brake Actuation	Mechanical

HYDRAULIC SYSTEM	
Main Pump Type	Gear
Main Relief Pressure	17 MPa
Raise	5.1 s
Dump Time	1.1 s
Float Down Time	3.1 s
Fastest Total Cycle Time	9.3 s



LOADER ARM PERFORMANCE with Quick Attach Bucket 1.8 m³	
Tipping Load - Straight (ISO 14397-1:2007)	7,700 kg
Tipping Load - Full Turn (ISO 14397-1:2007)	6,600 kg
Bucket Breakout Force	99 kN
A Maximum Hinge Pin Height	3,738 mm
B Dump Clearance at Full Height Discharge	2,930 mm
C Dump Reach at Full Height Discharge	1,035 mm
D Maximum Digging Depth, Bucket Level	40 mm
S ₁ Rollback at Ground Level	42°
S ₂ Bucket Rollback at Carry	49°
S ₃ Bucket Rollback at Maximum Height	60°
S ₄ Maximum Dump Angle at Full Height	45°

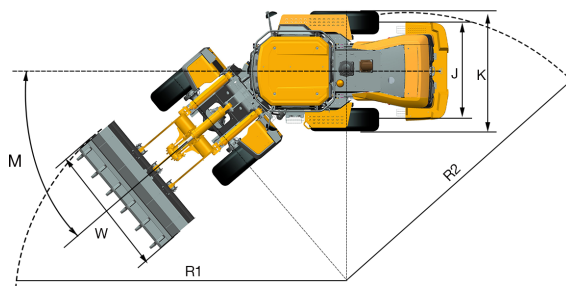
BUCKET PERFORMANCE	
Reference Bucket	1.5 - 2.3 m³

DIMENSIONS	
E Ground Clearance	350 mm
G Wheelbase	2,870 mm
H Cab Height	3,340 mm
J Wheel Tread	1,850 mm
K Width Over Tires	2,295 mm
L Length with Bucket Down	7,150 mm
M Turn Angle, Either Side	40°
P Rear Angle of Departure	28°
R ₁ Turning Radius, Bucket Carry	5,660 mm
R ₂ Turning Radius, Outside of Tire	5,090 mm
W Width Over Bucket	2,460 mm

TIRES	
Tire Size	17.5 - 25

OPERATING WEIGHTS	
Operating Weight	10,275 kg

SERVICE CAPACITY	
Fuel Tank	140 L
Engine Oil	16.3 L
Cooling System	40 L
Hydraulic System	140 L
Transmission and Torque Converter	40 L
Axles, Each	22 L



Guangxi Liugong Machinery Co., Ltd.

No. 1 Liutai Road, Liuzhou, Guangxi 545007, PR China
 T: +86 772 3886124 E: overseas@liugong.com
 www.liugong.com

Specifications and designs are subject to change without notice. Machines shown may include optional equipment. Liugong standard and optional equipment may vary from region to region. Please consult your Liugong dealer for information specific to your area. Engine power kW is converted to horsepower (1 kW=1.3596 ps and 1 kW=1.3410 hp) in this file.

07/2020 Designed by LiuGong
 Replace the previous versions of 04/2020